



## Bathtub - Supernova

Hand shower set for deck-mounted tub installation - polished chrome

Article number: 27 708 780-00

NO IMAGE



AVAILABLE

- Standard spray mode
- Descaling system
- Flange 2-1/8" x 2-1/8"
- 1-1/4" hole diameter
- Metal shower hose 68-7/8" with anti-twist device
- Water flow rate limited to max. 1.8 gpm

#### Codes & Standards

- California Energy Commission (CEC)
- Subsequent shower hose replacement possible without removing the fitting due to two-part construction.
- Internal backflow preventer.



polished chrome

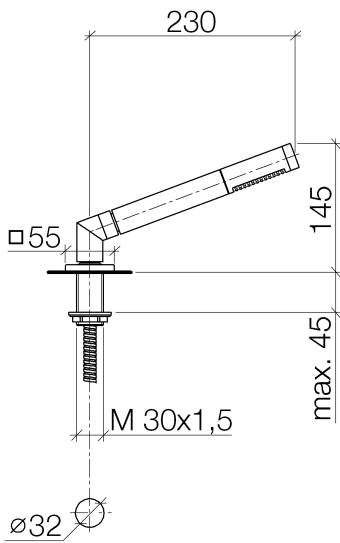


Bathtub - Supernova

Hand shower set for deck-mounted tub installation - polished chrome

Article number: 27 708 780-00

### Dimensional drawing



All dimensions in mm / inch = mm x 0,0394

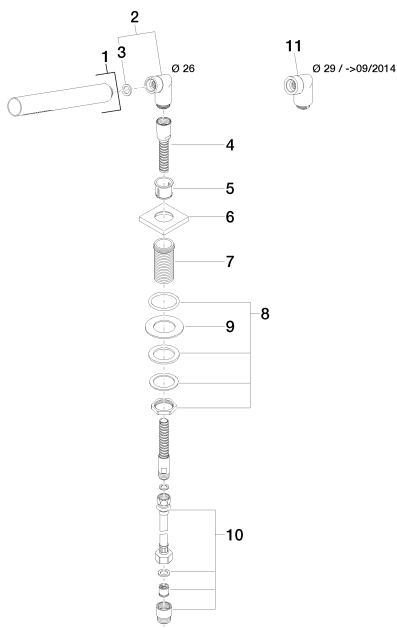


Bathtub - Supernova

Hand shower set for deck-mounted tub installation - polished chrome

Article number: 27 708 780-00

Spare parts list



Number	Item Number	Designation	Number of units
1	28 013 979-00	Baton hand shower - polished chrome	1
2	04 24 04 287 00-00	nipple	1
3	09 14 20 002 90	seal	1
4	28 322 970-00	Metal shower hose 1/2" x 3/8" x 68-7/8" - polished chrome	1
5	09 18 40 085 90	sleeve	1
6	09 27 78 011-00	rosette	1
7	09 30 01 090-07	sleeve	1
8	04 23 10 032 46 90	fixing set	1
9	09 30 11 060 90	disc	1
10	12 505 970 90	Flexible supply line 1/2" x 3/8" x 19-5/8" -	1
11	04 24 04 187 00-00	nipple	1